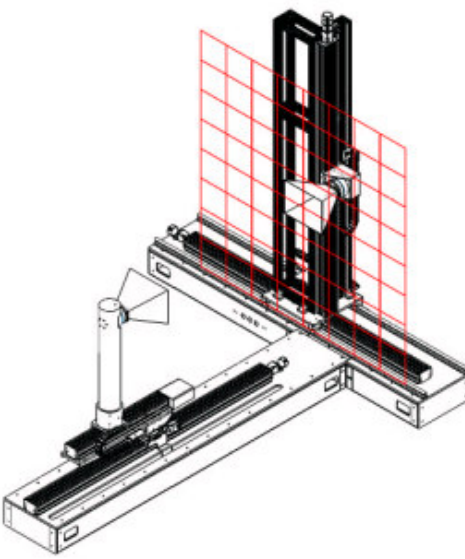
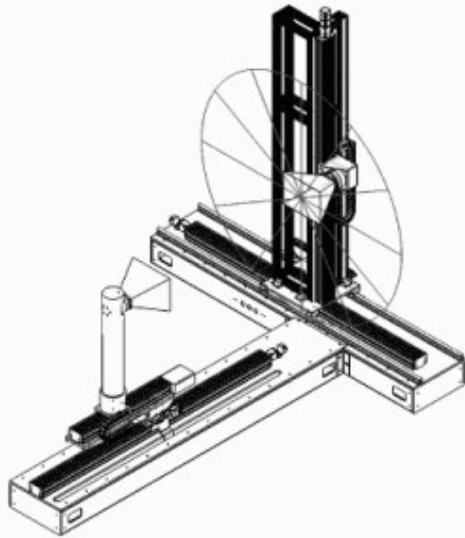


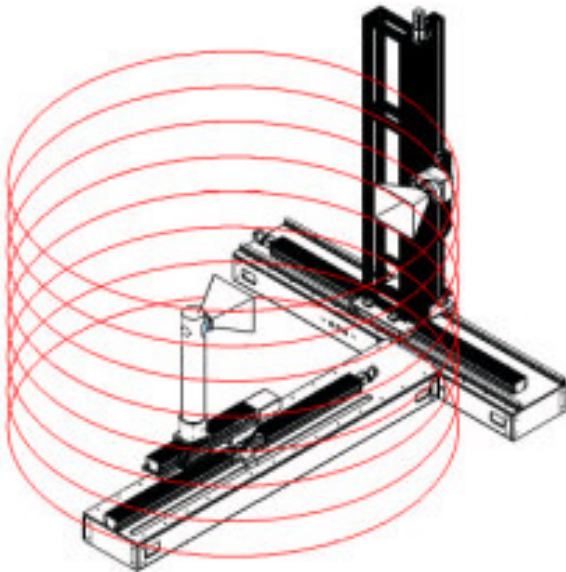
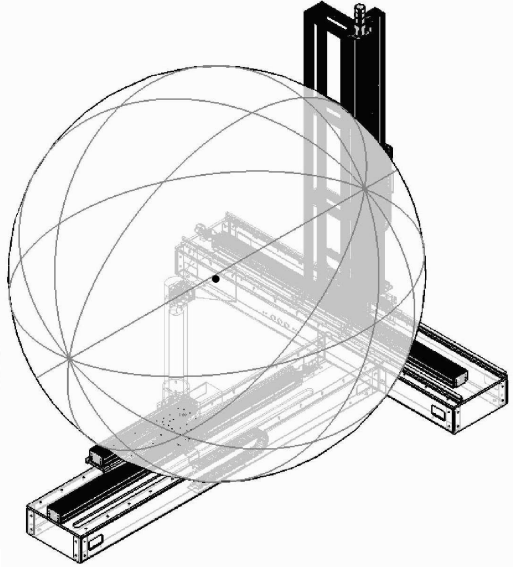
D. Operational Requirements



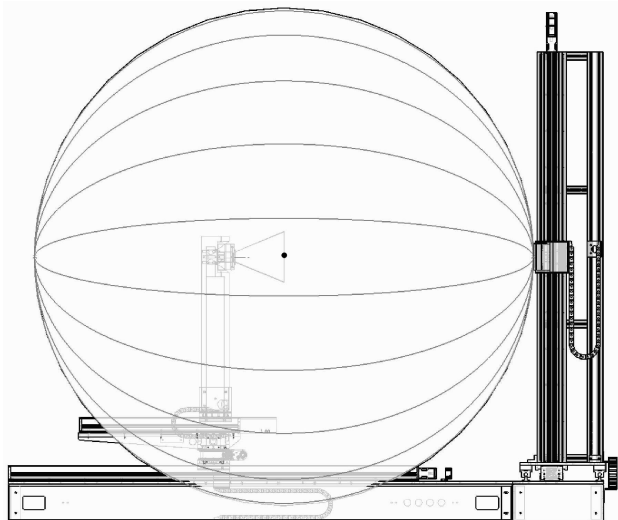
I. Planar Scanning



II. Spherical Scanning



III. Cylindrical Scanning



IV. Direct Far-Field Scanning